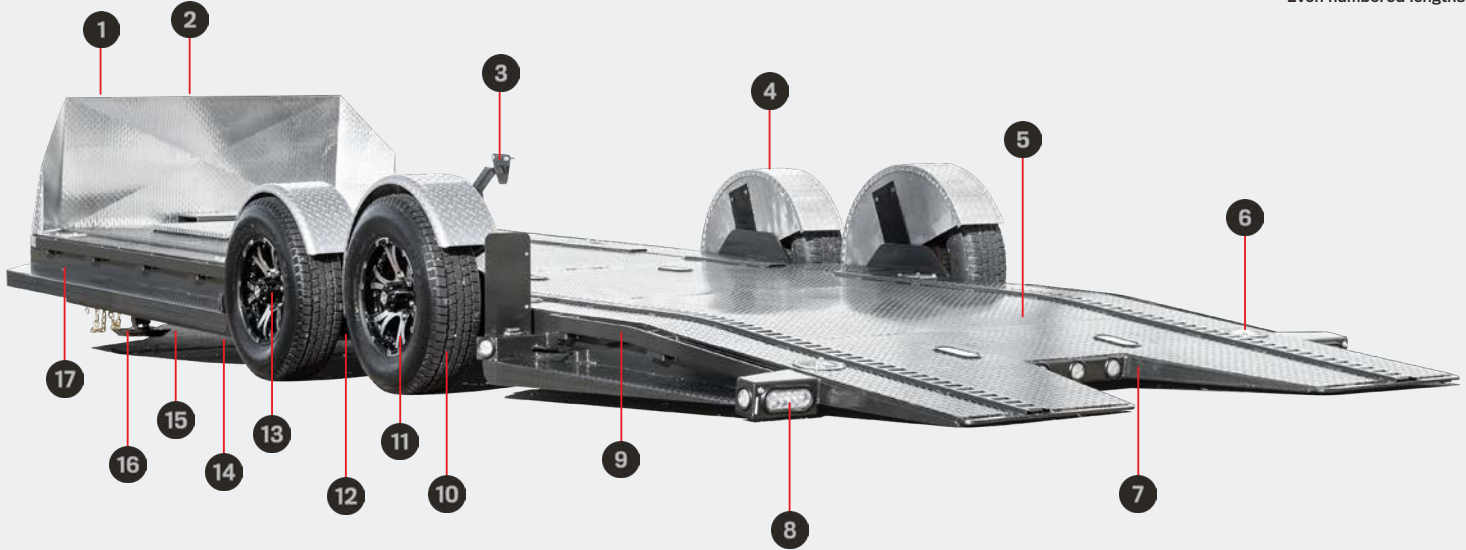


AVAILABLE SIZES

WIDTHS	LENGTHS
80"	20' and 24'

* Even numbered lengths only.



STANDARD FEATURES Model shown with various additional options.

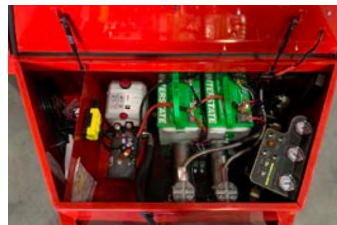
- 1 2 5/16" Adjustable Coupler
- 2 Toolbox
- 3 Spare Tire Mount
- 4 Bolt-On Diamond Plate Aluminum Single Fenders
- 5 1/8" Diamond Plate Steel Floor
- 6 4 Flushmount Swivel D-Rings
- 7 Split Tail Knife Edge
- 8 NATM Compliant Flushmount LED Lights
- 9 4" x 3" x 3/16" Stake Pockets and 2" x 3/8" Rubrail
- 10 ST225/75R15 D Radial Tires
- 11 15" Black Mod Wheels¹
- 12 Drop-N-Load® Air Suspension With 4" Drop Axles
- 13 2 - 5.2K Brake Axles
- 14 9 Gallon Air Tank
- 15 3" Channel Crossmembers on 16" Centers
- 16 7K Drop-Leg Jack
- 17 6" Channel Main Frame and Tongue

AVAILABLE OPTIONS

- Hydraulic Jack
- ST225/75R15 D Radial Tires On Aluminum Wheels
- Bolt-On Aluminum SA Fenders Stealth Black
- Extra Flush Swivel D-Rings
- 30" Aluminum Rock Shield Stealth Black
- Diamond Plate Running Boards
- In-Floor Toolbox
- Warrior 12K Winch Mounted On Plate/Channel
- 7-Watt Solar Panel
- Full Length E-Track
- In-Floor Lights



Split Tail Knife Edge Rear With 8.8° Loading Angle For The First 5', Then 4°



Toolbox w/Self Contained Air System, 110V Plug-In Battery Charger, Control Switches, & Wireless Remote

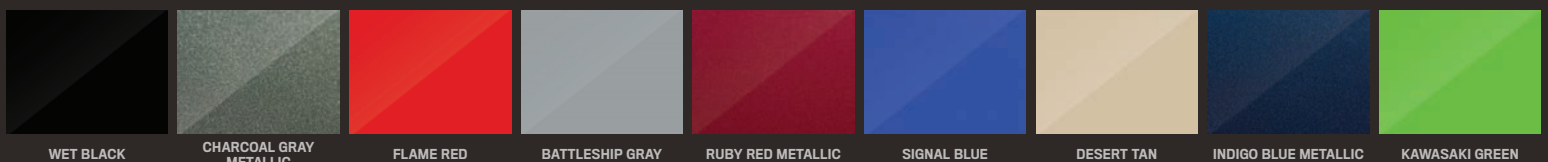


Air Bag Suspension For A Smooth Ride And Easy Loading



Wireless Remote

COLOR OPTIONS



*Colors shown for reference only. Actual colors may vary.