

4

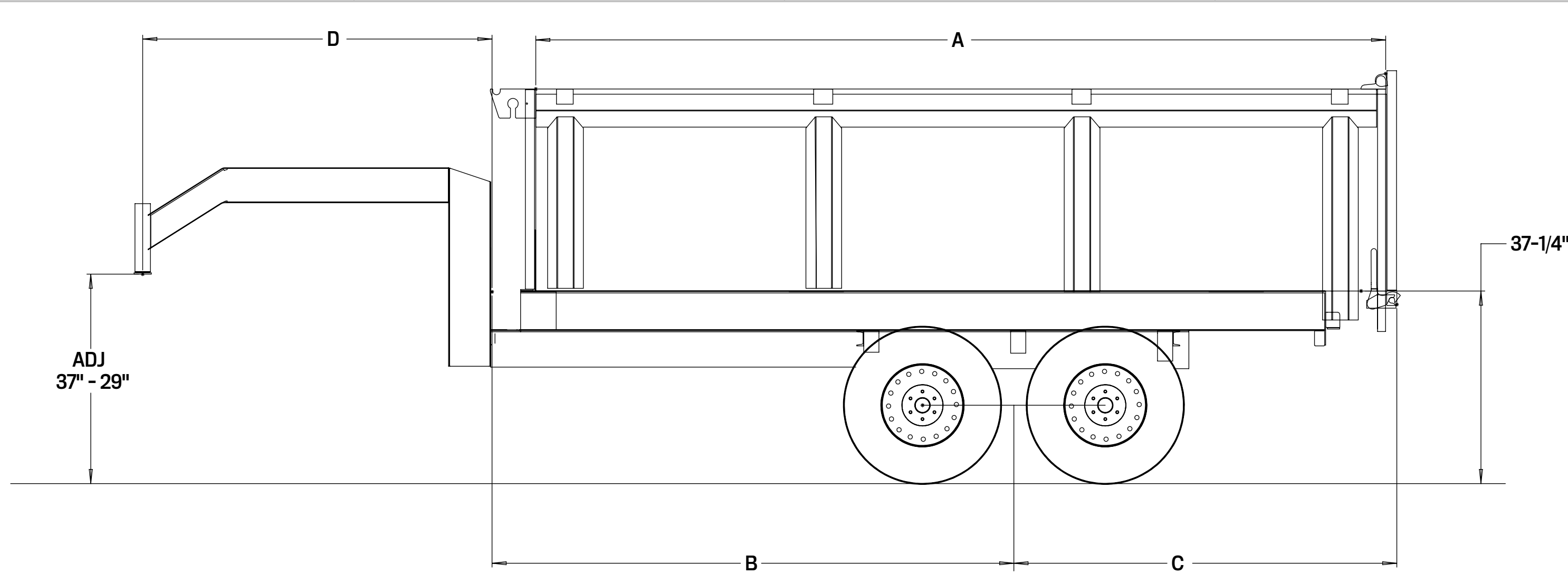
3

2

1

B

B



37-1/4"

ADJ
37" - 29"

MODEL	DESCRIPTION	A	B	C	D	DUMP ANGLE
DDX 16FT	TANDEM DUAL DUMP	16'	120"	84-1/2"	97"	48°
DDX 18FT	TANDEM DUAL DUMP	18'	131"	97-1/2"	97"	48°
DDX 20FT	TANDEM DUAL DUMP	20'	141"	111-1/2"	97"	48°

A

A

MAXX-D TRAILERS	THIRD ANGLE PROJECTION	PROPRIETARY AND CONFIDENTIAL THE INFORMATION CONTAINED IN THIS DRAWING IS THE SOLE PROPERTY OF MAXEY TRAILERS MFG. INC. ANY REPRODUCTION IN PART OR AS A WHOLE WITHOUT THE WRITTEN PERMISSION OF MAXEY TRAILERS MFG. INC. IS PROHIBITED.	UNLESS OTHERWISE SPECIFIED: DIMENSIONS ARE IN INCHES		NAME	DATE	DESCRIPTION:	
			DRAWN					
			TOLERANCES: +/- 1/16"	CHECKED				
			MATERIAL	MFG APPR.				
	DO NOT SCALE DRAWING		Q.A.		COMMENTS:		PART NO. DDX	REV
							WEIGHT:	SHEET 2 OF 2

4

3

2

1