

4

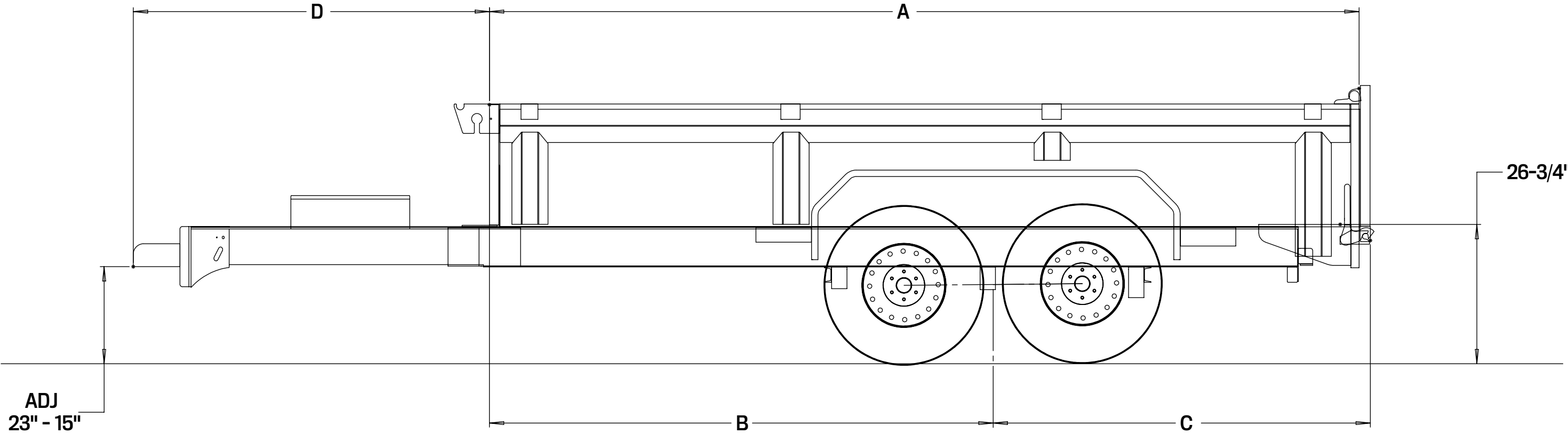
3

2

1

B

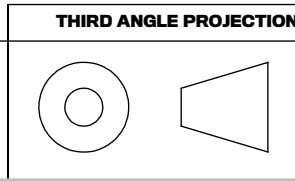
B



MODEL	DESCRIPTION	A	B	C	D	DUMP ANGLE
12FT	I-BEAM DUMP	12'	91-1/2"	58-1/2"	70-1/2"	48°
14FT	I-BEAM DUMP	14'	94-1/2"	79-1/2"	70-1/2"	48°
16FT	I-BEAM DUMP	16'	118-1/2"	79-1/2"	70-1/2"	48°

A

A



PROPRIETARY AND CONFIDENTIAL
 THE INFORMATION CONTAINED IN THIS DRAWING IS THE SOLE PROPERTY OF MAXEY TRAILERS MFG. INC. ANY REPRODUCTION IN PART OR AS A WHOLE WITHOUT THE WRITTEN PERMISSION OF MAXEY TRAILERS MFG. INC. IS PROHIBITED.

UNLESS OTHERWISE SPECIFIED: DIMENSIONS ARE IN INCHES		NAME	DATE	DESCRIPTION:
TOLERANCES: +/- 1/16"		DRAWN		
MATERIAL		CHECKED		
DO NOT SCALE DRAWING		MFG APPR.		
		Q.A.		PART NO. DJX DTX
		COMMENTS:		
WEIGHT:				REV
				SHEET 1 OF 2

4

3

2

1