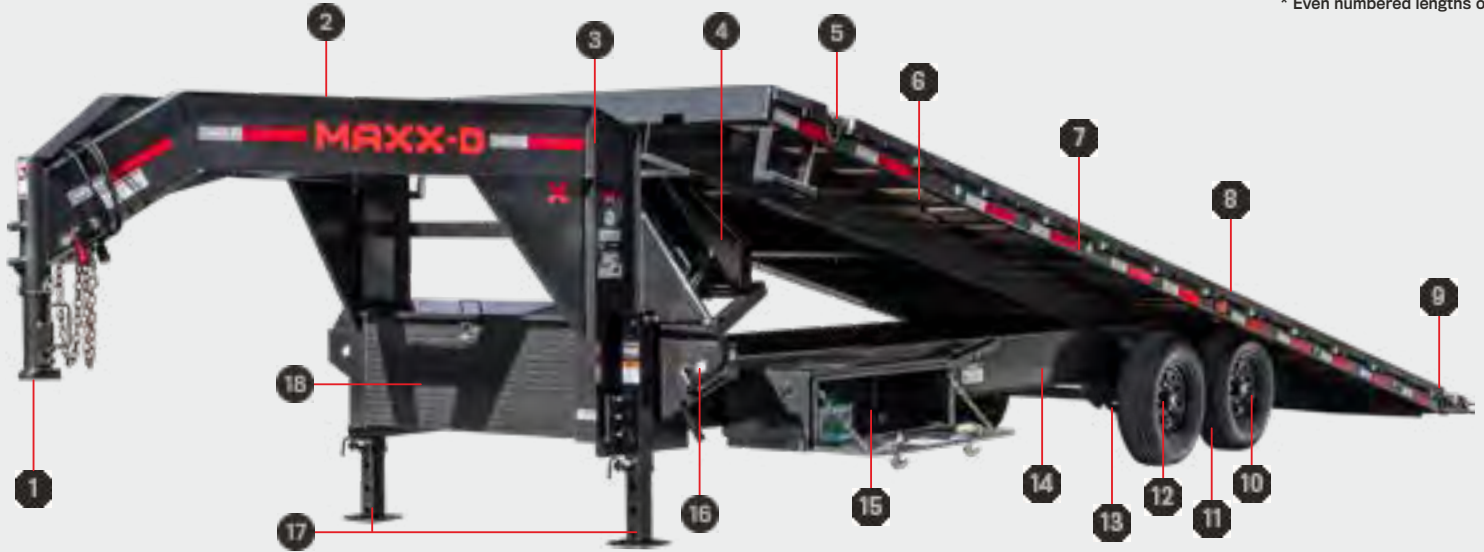


### AVAILABLE SIZES

WIDTHS	LENGTHS
102"	26'-34'

\* Even numbered lengths only.



### STANDARD FEATURES

- 1 2 5/16" 30K Round Gooseneck Coupler
- 2 Spare Tire Holder in Neck
- 3 12" x 14 lb I-Beam Neck and Risers
- 4 I-Beam Tilt Deck Frame With Scissor Hoist
- 5 4 - 3/4" Bull-Nose D-Rings
- 6 3" Channel Crossmembers on 16" Centers
- 7 6" Channel Outer Frame
- 8 2" x 8" Treated Wood Floor
- 9 Full Width Knife Edge Rear
- 10 16" Black Mod Wheels
- 11 ST235/80R16 (E) Radial Tires
- 12 2 - 7K Electric Brake Axles
- 13 Slipper Spring Suspension
- 14 12" x 14 lb I-Beam Main Frame
- 15 Toolbox w/Power Up & Down KTI Hydraulic Pump
- 16 NATM Compliant Flushmount LED Lights
- 17 2 - 10K Drop-Leg Jacks
- 18 Front Full Width Diamond Plate Toolbox

### AVAILABLE OPTIONS

- 2 - Hydraulic Jacks
- 3" Channel Crossmembers On 12" Centers
- 2 - 8K Electric Brake Axles
- ST235/85R16 G Radial Tires
- ST215/75R17.5 H Radial Tires
- 2" x 8" Treated Oak Floor
- Blackwood® Pro Lumber
- Extra 3/4" Bull-Nose D-Rings



13° Deck Tilt and Loading Angle



Hydraulic Powered Scissor Hoist

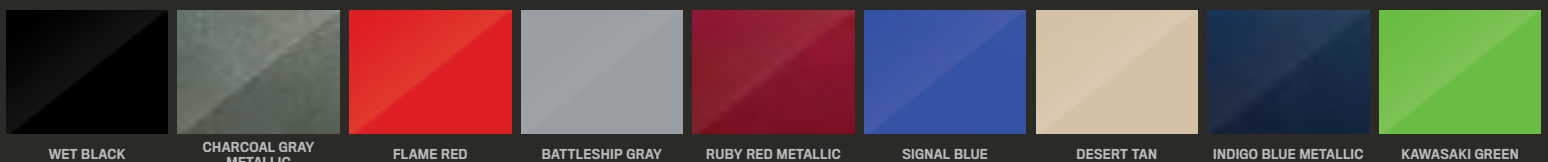


12" x 14 lb I-Beam Tilt Deck Frame



Full Width Knife Edge Rear

### COLOR OPTIONS



\*Colors shown for reference only. Actual colors may vary.