

4

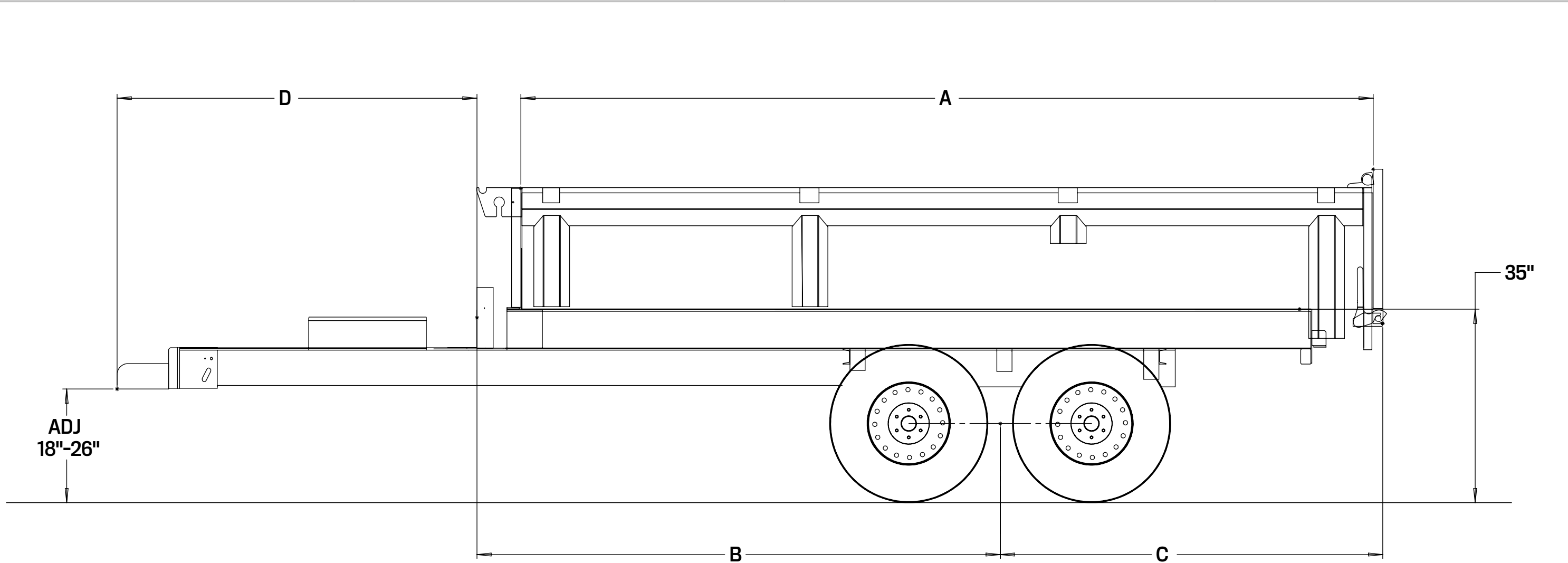
3

2

1

B

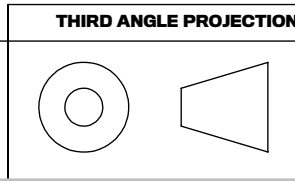
B



| MODEL | DESCRIPTION | A | B | C | D | DUMP ANGLE |
|----------|---------------|-----|----------|---------|---------|------------|
| D9X 12FT | DECKOVER DUMP | 12' | 82" | 74-1/2" | 78-1/2" | 48° |
| D9X 14FT | DECKOVER DUMP | 14' | 100-1/2" | 80" | 78-1/2" | 48° |
| D9X 16FT | DECKOVER DUMP | 16' | 117" | 87-1/2" | 78-1/2" | 48° |

A

A



THIRD ANGLE PROJECTION

PROPRIETARY AND CONFIDENTIAL

THE INFORMATION CONTAINED IN THIS DRAWING IS THE SOLE PROPERTY OF MAXEY TRAILERS MFG. INC. ANY REPRODUCTION IN PART OR AS A WHOLE WITHOUT THE WRITTEN PERMISSION OF MAXEY TRAILERS MFG. INC. IS PROHIBITED.

| | | | | | |
|---|--|-----------|------|--------------|--------------|
| UNLESS OTHERWISE SPECIFIED: DIMENSIONS ARE IN INCHES | | NAME | DATE | DESCRIPTION: | |
| TOLERANCES: +/- 1/16" | | DRAWN | | | |
| MATERIAL | | CHECKED | | | |
| DO NOT SCALE DRAWING | | MFG APPR. | | | |
| | | Q.A. | | | |
| | | COMMENTS: | | PART NO. | REV |
| | | | | D9X | |
| | | | | WEIGHT: | SHEET 1 OF 2 |

4

3

2

1